

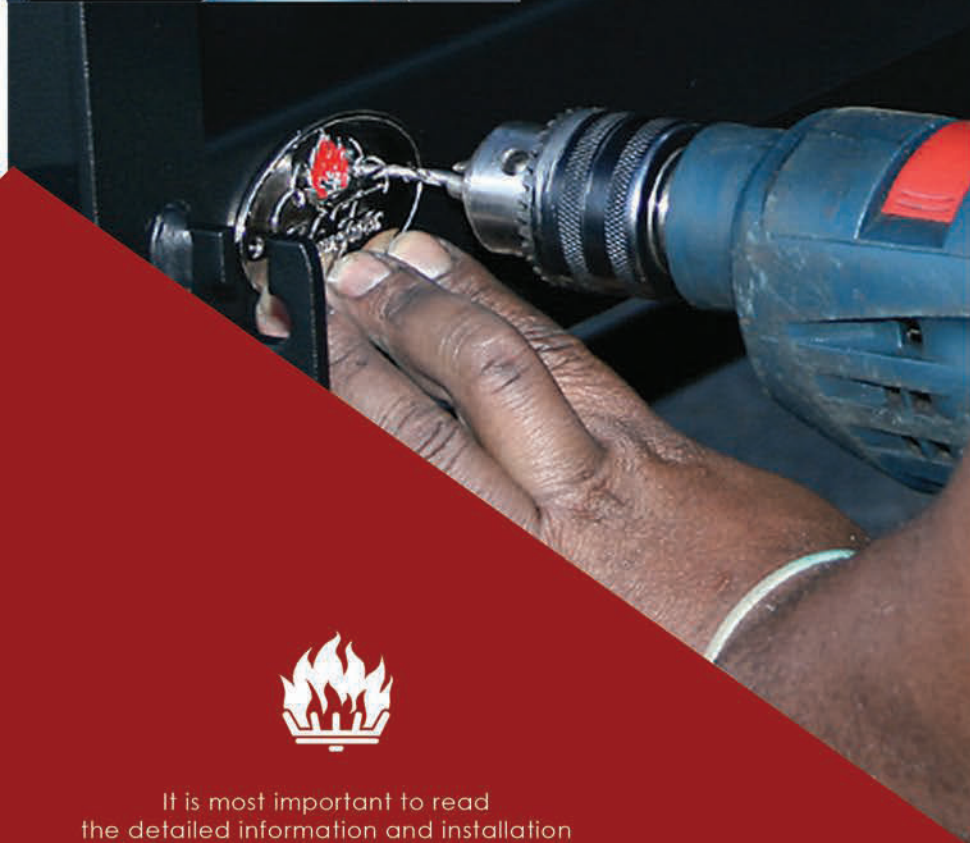


WE MAKE
THE DIFFERENCE!

Braai Range

Built-in Braais | Freestanding Braais
Built-in Gas Braais | Built-in Combo Braais
Gas Griller Braais | Braai Accessories
Table Braais | Trolley Braais

www.homefires.co.za



It is most important to read the detailed information and installation instructions supplied with every unit

BRAAI AND FIREPLACE MANUFACTURER

COMPANY PROFILE

From its humble beginnings as a one-man business, operating from a small factory in Worcester in 1983, Home Fires has developed into a well-established organization and a market leader in the development of fireplace and braai products. The upgrading of production machinery and equipment and regular injections of operating capital has facilitated penetration into the export market.

Home Fires currently sets the trend of the quality and new design of fireplaces and braais, some of which are patented. All products are stringently tested for durability and affectivity and are confidently guaranteed for 15 years. Further to this, the products can successfully be used in any smoke-free area.



HOME FIRES BRAAIS

Advantages Of A Home Fires Braai

- Only "A" – grade hot rolled mild steel of 3mm thickness is used for fire boxes, which ensure a long lasting product and peace of mind.
- Further benefits of this unique braai is that it enables one to do conventional grilling, bake bread, prepare stir-fry dishes, do a traditional potjie kos, smoke meat or fish, or even spit- roast the occasional leg of lamb using the heavy duty rotisserie option.
- Most of the Braais are fitted with an ember maker for the quick and easy making of embers, which allows braaing within 15 minutes. This unique ember maker concept is a feature originally designed by Home Fires which will give you much pleasure. This unit makes kindling a fire an easy task. It provides you with a continuous flow of embers and you have the enjoyment of a fire for the full duration of you braai process.
- You can use your braai unit as a fireplace to heat your indoor entertainment area when it is equipped with convection ducts or with a chimney damper.
- Most 800, 1000, 1200 & 1500 models have an upper door as well as a lower door that serves as a convenient table or worktop.
- All braais feature height adjustable grills.
- A wide variety of accessories are available that enables creative barbecuing.
- Most of the braais feature a 220V light fitting on the inside to provide enough light even for use at night.
- Most of the braais feature a movable ember maker, which enables the user to have different configurations with various accessories.



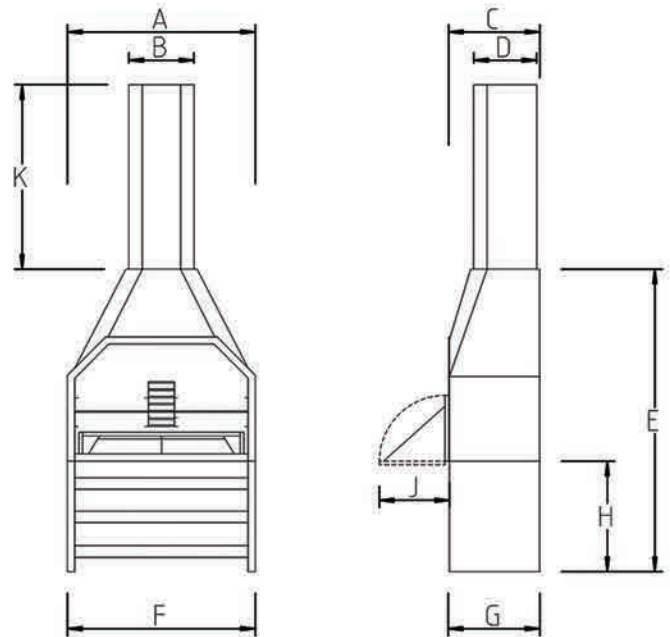
Freestanding braai units can be installed indoors, enabling excellent entertainment regardless of the weather conditions. There is no brick work or building work required to install them, like with the built-in braai range. They do require a level, solid non-combustible floor surface to be installed upon. An optional loose top door can be ordered.

HEXAGON Freestanding Braai - 1000

This version comes standard with an ember maker in the middle, an ash drawer and warming drawer. Two half grids are issued with this model.

HEXAGON Freestanding Braai - 800

The standard 800 freestanding braai unit is ideal for cluster developments or as a basic braai facility. It doesn't include an ember maker, but it includes a full length grid and ash drawer.



HEXAGON Freestanding Braai - 1200

This version comes standard with an ember maker in the middle, an ash drawer and warming drawer. Two half grids are issued with this model.



HEXAGON FREESTANDING BRAAI											
MODEL	A	B	C	D	E	F	G	H	J	K	Grill Size
800	805	310	540	250	1760	870	545	800	405	2000	780 x 480
1000	1005	420	540	360	1900	1070	545	800	455	2000	400 x 480 x 2
1200	1205	420	540	360	1930	1270	545	800	455	2000	500 x 480 x 2

All models are available in 3CR12 or 304 stainless steel. Special order only.



The wood box type stand, 2m flue pipe, rotating cowl and base, grid lifters, bottom door, escutcheon plate, potjie arm, insulation, ash pan, poker, spade and touch-up paint are standard issue with all three models. Also included, is a guarantee certificate.



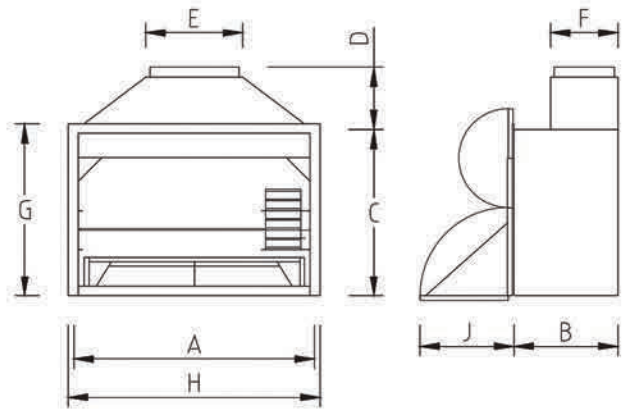
BUILT-IN BRAAI RANGE

The built-in braais from Home Fires provide home entertainment at its best. The units may be installed indoors or outdoors and guarantee completely smoke-free use. Thus eliminating the irritating smoke always associated with braais. The 15 year guarantee against faulty workmanship or material, along with Home Fires' after sales service will give you the peace of mind that you deserve.



DE LUXE Built-in Braai

This version comes in models 800, 1000, 1200 and 1500. An Ember maker, top and bottom door, potjie arm, light fitting and ashdrawer is additional standard issue items.

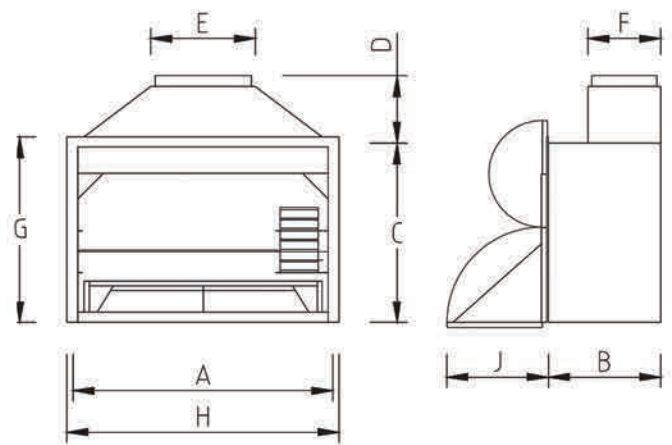


DE LUXE BUILT-IN BRAAI										
MODEL	A	B	C	D	E	F	G	H	J	Grill Size
800	830	535	855	320	430	235	880	890	455	550 x 480
1000	1030	535	855	320	440	350	880	1090	455	750 x 480
1200	1230	535	855	320	500	350	880	1290	455	950 x 480
1500	1550	645	1050	305	600	485	1085	1590	510	1225 x 600

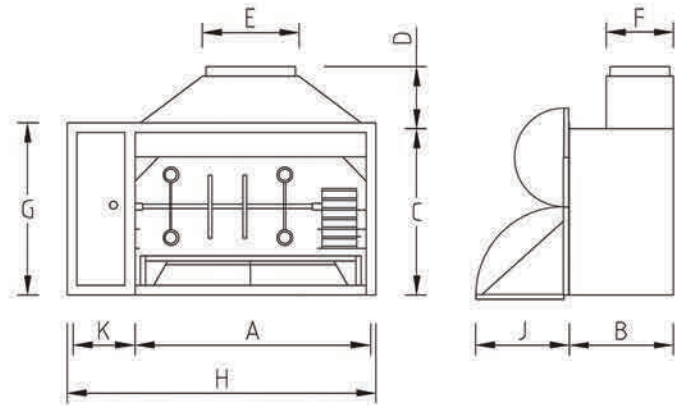


SUPER DE LUXE Built-in Braai

This version comes in models 1000, 1200 and 1500. An Ember maker, ash disposal trap and ash drawer, warming drawer, spade, one slide-in door, potjie arm and light fitting are additional standard issue items.



SUPER DE LUXE BUILT-IN BRAAI										
MODEL	A	B	C	D	E	F	G	H	J	Grill Size
1000	1045	535	890	320	440	350	920	1145	300	750 x 480
1200	1245	535	890	320	500	350	920	1345	300	950 x 480
1500	1545	645	1050	305	600	485	1105	1645	400	1225 x 600
Monster	2325	645	1050	650	500	500	1105	2450	405	615 x 560 x 3



SUPER DE LUXE Built-in Spit Braai

This version comes in models 1200 and 1500. A heavy duty spit motor, spit motor box, heavy duty spit arm, ember maker, ash disposal trap and ash drawer, warming drawer, spade, one slide-in door, potjie arm and light fitting are additional standard issue items.

SPIT SUPER DE LUXE BUILT-IN BRAAI											
MODEL	A	B	C	D	E	F	G	H	J	K	Grill Size
1200	1225	535	890	320	500	350	920	1655	300	305	950 x 480
1500	1525	645	1050	305	600	485	1105	1955	400	305	1225 x 600



MONSTER Built-in Braai

There is only one model in this version. It comes standard with the following items: Bottom door/work surface. Ash pan, 3 x Drawer, 2 x Espetada frame (excluding the Espetadas), 3 x Stainless Steel deflector plate, 2 x V-groove grid, 1 x Stainless Steel Round Bar Steak Grid, 2 x Ember Maker, 2 x Light Fitting, 2 x Potjie Hook, 1 x Poker, 1 x Spade.

This unit weighs 410kg.



Full length grid, grid lifters, ash pan, poker, insulation and touch-up paint is standard issue with the whole range. Also included is a guarantee certificate and instruction manual. (this paragraph doesn't apply to the Monster Braai)



1500 **Built-in Gas Braai** **Option A**

Standard items of equipment are a 2 burner Stainless Steel Flat top grill (9902), a light fitting, a top and bottom door, a model 1000 Table Charcoal braai with ember maker, ash drawer and warming drawer, a height adjustable braai grid, a potjie hook, insulation and touch-up paint. Please note that the inserts are not as deep as the inside of the built-in box.

1500 **Built-in Gas Braai** **Option B**

Standard items of equipment are a 3 burner Stainless Steel Flat top grill (183), a light fitting, a top and bottom door, a model 1500 Table Charcoal braai with ember maker, ash drawer and warming drawer, a height adjustable braai grid, a potjie hook, insulation and touch-up paint. Please note that in this case the inserts are the same depth as the inside of the built-in box.



1500 **Built-in Gas Braai** **Option C**

Standard items of equipment are a 4 burner Stainless Steel Flat top grill (9904), a light fitting, a top and bottom door, a model 700 Table Charcoal braai with removable ash drawer, a height adjustable braai grid, a potjie hook, insulation and touch-up paint. Please note that the inserts are not as deep as the inside of the built-in box.

1500 **Built-in Gas Braai** **Option D**

Standard items of equipment are a 5 burner Stainless Steel Flat top grill (9905), a light fitting, a top and bottom door, a model 580 Table Charcoal braai with removable ash drawer, a height adjustable braai grid, a potjie hook, insulation and touch-up paint. Please note that the inserts are not as deep as the inside of the built-in box.

COMBO BUILT-IN BRAAI RANGE



Home Fires offer a 1200 and 1500 Combo unit, which combines both gas and charcoal/wood braaiing facilities within the same braai box. The Home Fires Combo Built-in Braai units combines the well-known enjoyable Home Fires charcoal or wood braai with the convenience of a gas griller by braaiing within minutes for that quick braai after work or Sunday morning brunch. The Combo unit comes standard with two separate doors that close off the opening of the unit when not in use.

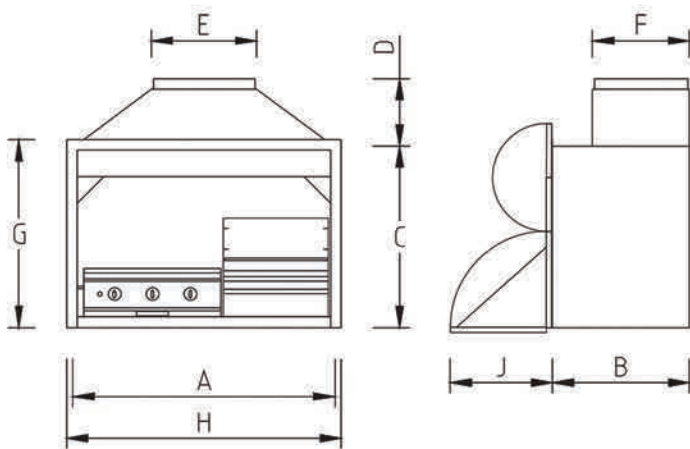
The charcoal braai side has ample braaiing space and the Stainless Steel Gas Grill is designed with cast iron flat burners and flame-tamer vaporizer plates on top to offer a consistent heat distribution over the grilling surface, with minimal flare-ups. With some of the Stainless Steel Gas Grills an optional solid cast iron dual-sided plate can be inserted into the space of one of the stainless steel grids to enable the user to cook more delicate and smaller foods, such as fish and vegetables. Best of all, it lets you cook a great breakfast or brunch in your gas braai.



1200 Combo Built-in Gas Braai

Standard items of equipment are a 2 burner Stainless Steel Flat top grill (9902), a light fitting, a top and bottom door, a model 700 Table Charcoal braai with removable ash drawer, a height adjustable braai grid, a potjie hook, insulation and touch-up paint.

Option A



1200 Combo Built-in Gas Braai

Standard items of equipment are a 3 burner Stainless Steel Flat top grill (9903), a light fitting, a top and bottom door, a model 580 Table Charcoal braai with removable ash drawer, a height adjustable braai grid, a potjie hook, insulation and touch-up paint.

Option B

COMBINATION GAS AND CHARCOAL/WOOD BUILT-IN BRAAI

MODEL	A	B	C	D	E	F	G	H	J	Gas Grill Model	Table Braai Model
1200 option A	1240	535	855	325	500	350	880	1290	455	2 Burner (9902)	700 with drawer
1200 option B	1240	535	855	325	500	350	880	1290	455	3 Burner (9903)	580 with drawer
1500 option A	1540	645	1055	300	600	500	1085	1590	510	2 Burner (9902)	1000 with drawer
1500 option B	1540	645	1055	300	600	485	1085	1590	510	3 Burner (183)	1500 Combo with drawers
1500 option C	1540	645	1055	300	600	485	1085	1590	510	4 Burner (9904)	700 with drawer
1500 option D	1540	645	1055	300	600	485	1085	1590	510	5 Burner (9905)	580 with drawer



Barbecues are not only for summer – if you have a Home Fires Gas Braai then anytime is a good time! The convenience and control of a Home Fires Gas Braai will mean more frequent use. Many more people are now enjoying outside dining at home thanks to the arrival of the Home Fires Gas Braais. They're quick, convenient and simple to use. The patio has become an extension to the dining room and, because they take just a few minutes to prepare, braais become quick and easy adventures.

At the heart of the cooking system of the gas griller is the flame tamer plate. The flame tamer is a perforated plate, which like lava rock catches the meat juices just under the grill, instantly vaporizes the drippings, and sends char-grilled flavour back through the meat. The advantage of the flame tamer is that this hotter system practically eliminates annoying flare-ups. With the flame tamer there are no messy rocks to flip over, it's easier to clean, it gives optimum heat distribution and you retain the full, authentic braai flavour. The safety, efficiency and versatility derived from cooking with gas makes the Home Fires offer of Gas Braais the preferred method of outdoor meal preparation.

SUPER DE LUXE BUILT-IN GAS BRAAI

The Home Fires Super de Luxe Built-in Gas Braai range combines the quality of the well known Home Fires Built-in Braai range with the convenience of a gas grill.

The Home Fires Super de Luxe Built-in Gas Braai is deep enough for the Home Fires Gas Griller to fit inside even with the doors closed. Standard fitted to the braai are the top and bottom doors. With the top and bottom doors closed, the braai has a very neat appearance. The bottom door serves also as a work surface or table in front of the braai.

The Home Fires Super de Luxe Built-in Gas Braai are standard fitted with a light fitting for trouble free evening grilling. Two models are available, namely a model 800mm which includes a 4 burner flat top Stainless Steel Gas Grill and a model 1000mm which includes a 5 burner flat top Stainless Steel Gas Grill.



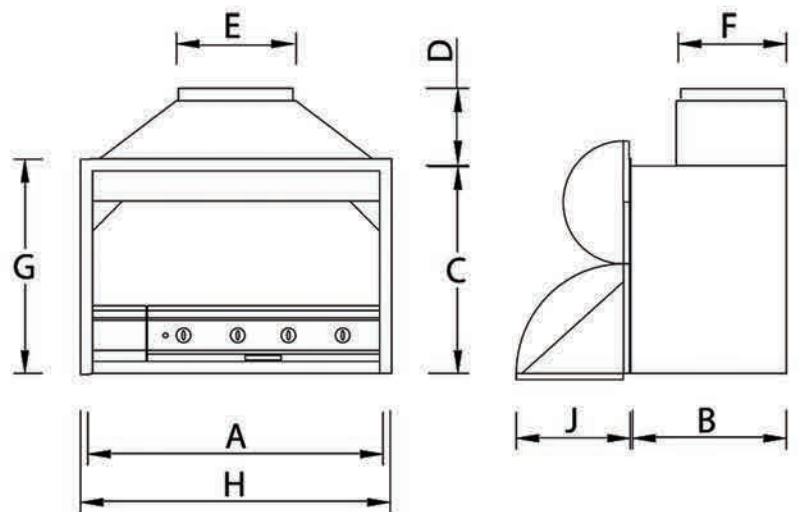
SUPER DE LUXE - 1000

Standard items of equipment are a 5 burner flat top Stainless Steel Gas Griller (9905), a top and bottom door, insulation, touch-up paint and a light fitting.



SUPER DE LUXE - 800

Standard items of equipment are a 4 burner flat top Stainless Steel Gas Griller (9904), a top and bottom door, insulation, touch-up paint and a light fitting.



SUPER DE LUXE BUILT-IN GAS BRAAI

MODEL	A	B	C	D	E	F	G	H	J	Gas Cooking Surface Size	Gas Grill
800	835	535	855	325	235	430	880	890	455	680mm x 400mm	4 Burner (9904)
1000	1035	535	855	325	440	350	880	1090	455	880mm x 400mm	5 Burner (9905)



JANBRAAI KIT

The Janbraai Kit is an exciting camping braai product. It folds up neatly and stores compactly into an ammo box. It is supplied with the ammo box, stainless steel braai grid and wind shield. The grid can be placed on two different levels. Now you can take your braai with you to any camping/fishing/sporting event and you don't have to worry about the braai making a mess in your vehicle afterwards.



KAMPBRAAI

The Kampbraai is a bigger camping braai product, for when you have a longer stay and need a decent more luxurious braai. It folds up neatly into a size of 800mm wide x 400mm high x 330mm deep. It is supplied with an ember maker, three foldable work surfaces and a poker. The following accessories can be purchased separately; braai grid, rotating grid basket, spit motor (battery operated) and bracket, spit arm with spike set.



All models are available in 3CR12 or 304 stainless steel. Special order only.







Due to continual product improvements, the company reserves the right to introduce improvements and modifications, which may change the product specifications and / or product appearance.



MODEL 183



MODEL 9903



MODEL 9904



MODEL 9905



MODEL 9902



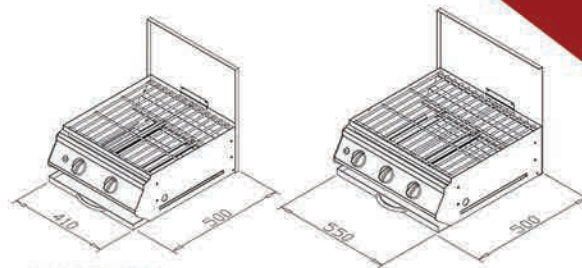
FLAT TOP GRILLER

2, 3, 4 and 5 Burner Stainless Steel Flat top Grillers

The Stainless Steel Gas Flat top Griller is standard equipped with round bar stainless steel grids. For some of the models, an optional cast iron griddle can be added to allow you a stir-fry and grill at the same time. These models feature; 430 Stainless vaporizer plates, cast iron burners, piezo ignition, a Stainless steel dust cover, and a Stainless steel drip tray.

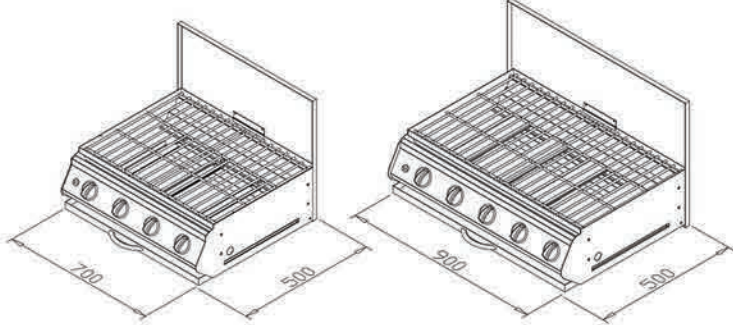
A flat top gas griller can also be used totally on its own as a freestanding counter top gas braai or it can be inserted into an existing brick built opening.

The models available are: 9902 (2 burner), 9903 (3 burner, 500mm deep), 183 (3 burner, 600mm deep), 9904 (4 burner), 9905 (5 burner).



MODEL 9902

MODEL 9903



MODEL 9904

MODEL 9905

FLAT TOP GAS BRAAI

Flat Top Gas Braai Model	Total Width	Total Depth	Total Height	Flat Lid
9902	410	500	222	Yes
9903	550	500	222	Yes
183	660	600	222	Yes
9904	700	500	222	Yes
184	820	600	222	Yes
9905	900	500	222	Yes

Please Note: The width, noted here, doesn't include the connection point.

All dimensions and weights are approximate.





TABLE Charcoal / WOOD braai for the 1200 and 1500 Combo

The Charcoal/Wood sections of the 1200 and 1500 Combination braai are similar to the well-known Home Fires Table braais.

These are designed as a separate section to be inserted next to the gas griller. It can therefore also be completely removed for cleaning and maintenance.

For the combination units these comes standard with a removable ash drawer and ash lid. Other items of standard equipment are a height adjustable full length grid and potjie arm. These are manufactured from hot rolled mild steel and the braai grids are electroplated. The models available are: model 580, model 700, model 1000 and model 1500.

Model 1000 as well as model 1500 additionally includes an ember maker as well as a warming drawer.

A table braai can also be used totally on its own as a freestanding counter top braai or it can be inserted into an existing brick built opening.



MODEL 580



MODEL 700



MODEL 1000



MODEL 1500 COMBO

TABLE BRAAI MODEL

	Total Width	Total Depth	Total Height	Ember Maker	Grill Size
580 with drawer	580	480	430	No	550 x 480
700 with drawer	700	480	430	No	680 x 480
1000 with drawer	1000	480	530	Yes	750 x 480
1500 Combo with drawers	820	620	570	Yes	550 x 480



TABLE / TOWNHOUSE BRAAI

This version comes in models 800, 1000 and 1200. An Ember maker and is an additional standard issue item. Model 1200 is standard with two half grids.



MODEL 1000



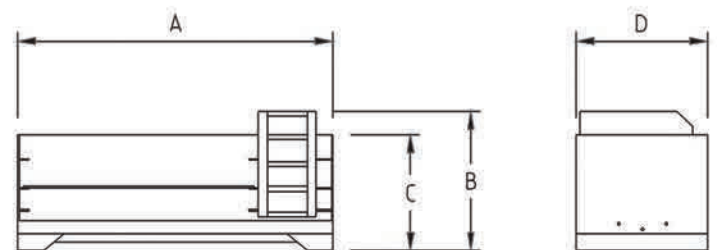
MODEL 800



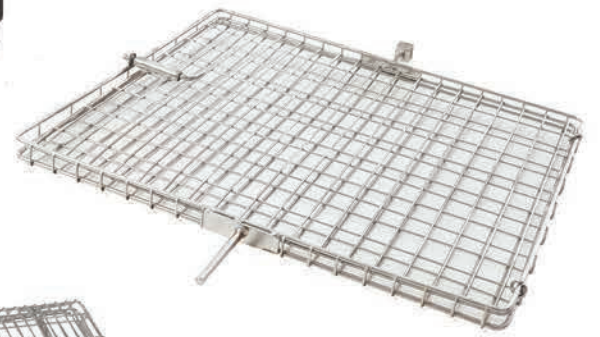
MODEL 1200

TABLE BRAAI / TOWN HOUSE BRAAI

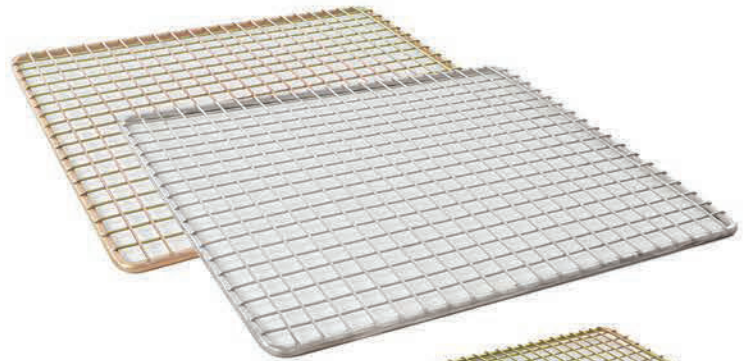
MODEL	A	B	C	D	Grill Size
800	800	440	330	480	550 x 480
1000	1000	440	330	480	750 x 480
1200	1200	440	330	480	950 x 480



Full length grid/2 half grids, grid lifters, integrated ash pan, poker and potjie arm is standard issue with the whole range.



BRAAI RANGE ACCESSORIES





TROLLEY BRAAI RANGE

TROLLEY BRAAI

This version comes in models 700, 800, 1000 and 1200. An Ember maker, work surface with handle and legs with wheels on one side are additional standard issue items, except on model 700, which don't have an ember maker. Model 1200 is standard with two half grids.



MODEL 700 (light)



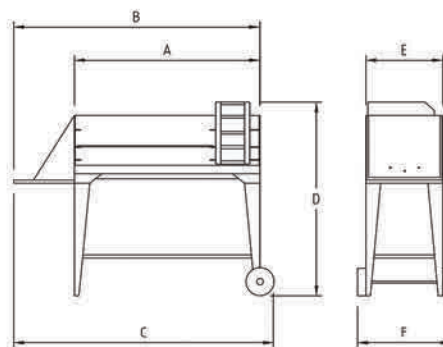
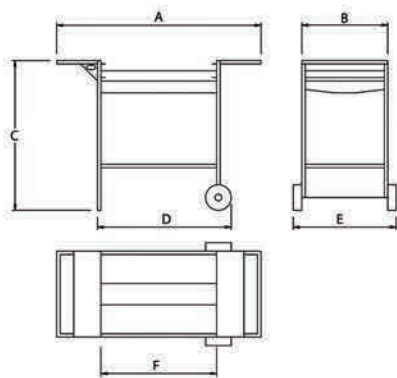
MODEL 800



MODEL 1200



MODEL 1000



700 LIGHT TROLLEY BRAAI

MODEL	A	B	C	D	E	F	Grill Size
700	1200	505	880	820	575	685	680 x 480

MOBILE TROLLEY BRAAI

MODEL	A	B	C	D	E	F	Grill Size
800	800	1120	1180	1150	480	560	550 x 480
1000	1000	1310	1380	1150	480	560	750 x 480
1200	1200	1510	1580	1150	480	600	950 x 480

All models are available in 3CR12 or 304 stainless steel. Special order only.



Full length grid/2 half grids, grid lifters, integrated ash pan, poker and potjie arm is standard issue with the whole range.



The spit braai enables you to spit-roast a lamb, piglet or chicken and to operate a rotating grid for meat or toast. You can also have a normal braai in this unit.



A potjie together with a bread oven is another of the many combinations.



The stir-fry plate and grid combination is ideal for preparing breakfast, bacon, onions and eggs in the plate and sausage on the grid.



Grill left with ember maker in the middle and rotisserie on right, shown here.



The removable rotisserie is battery or mains operated and is ideal for a chicken or leg-of-lamb rotisserie.



Slide the ember maker to the middle of your braai and you can perform two functions simultaneously. Grilling on two different levels is shown here.



The full-length grid enables you to use the spit braai unit as a normal braai with or without all the other accessories. Shown here is a rotating grid and stirfry plate combination.



The braai has a neat appearance when the doors are in the closed position and they protect your braai against dust, rain and pets (the cat on your grill).



1200 Super de Lux with one slide-in door with either a black front or a stainless steel front.



Full Stainless steel 1200 SDL, with two doors.



1200 Combo braai with stainless steel front and doors, but with mild steel body and charcoal section.





Whilst every endeavor will be made to supply the goods illustrated in this catalogue, any photograph, description, specification or illustration generally represents Home Fires' goods offered. They do not constitute a sale by description. Home Fires reserves the right to supply similar but not identical goods to those illustrated.

This brochure, and the contents thereof, remain the property of Home Fires, and may not be copied or reproduced in any way © 2019.

HOME FIRES (PTY) LTD

6 Field Street, Worcester,
 PO Box 873, Worcester, 6849,
 South Africa
 Phone: +27 (0)23 342 3330
 Fax: + 27 (0)23 342 5940
 Email: manufacturing@homefires.co.za

HOME FIRES TVL (PTY) LTD

1306 South Street, Centurion,
 P O Box 7325, Centurion, 0046,
 South Africa
 Phone: +27 (0)12 663 3911
 Fax: + 27 (0)12 663 3991
 Email: homefires@homefires.co.za

D I S T R I B U T O R

